

LIFT&DRIVE DATA CENTER

Data Sheets



PRONOMIC AB has a long experience in handling light loads. Our Lift&Drive is designed to facilitate the most common manual lifting. PRONOMIC AB has been manufacturing and distributing the Lift&Drive range since 1989, giving us over 30 years of experience. The company's headquarters are in Sollentuna, Sweden, near Stockholm. www.pronomic.com

Our innovative solutions increase your productivity, improve the efficiency of your resources, and enhance the security of the data center working environment.

PRONOMIC Lift&Drive manipulators reduce the strain of lifting heavy loads and prevent accidents when handling servers, both during transport and during assembly and installation. This reduces the number of incidents that can result in injury to personnel and damage to property.

The solution also allows for a more efficient use of resources, doing more with less. With the help of our manipulators, one person can safely and efficiently assemble a server; previously this would have required two people.

We can offer you an on-site demonstration with your teams.

Who is PRONOMIC?

We are a manufacturer of lifters, and we offer a range of products dedicated to the data center industry; our products are used by thousands of operators around the world, so why not you? Our products are manufactured in Sweden and distributed in about 20 countries mainly in Europe and the USA.

Our DATA CENTER brands:



The Lift&Drive DC 15 U52 is equipped with a telescopic column with a sliding platform to facilitate the picking up and placing of a server. This lifting device has a minimum height from the floor of 95 mm and a maximum height of 2459 mm.

This lifter can be used in all data centers, even in cold corridor type spaces, as the trolley measures only 1976 mm when folded and will therefore pass through a 2000 mm door.



In addition to lifters for handling servers, we have also developed a range for batteries that can also be used for servers with smaller loads.

As we are manufacturers, we can adapt the lifter to your needs, either from the DC lifter or from a specific specification.

Our technical teams remain at your disposal to study your needs.

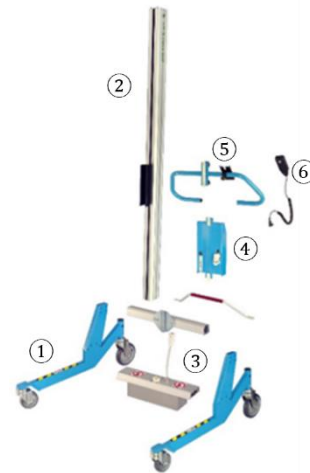
PRONOMIC

GENERAL CHARACTERISTICS LIFT&DRIVE DATA CENTER

MODULAR LIFTER	The Lift&Drive lift is made up of several modules, allowing it to be adapted for each use. This modularity does not only allow us to adapt the offer but also to facilitate the management in terms of after-sales service; we replace parts without interrupting the production.
MANOEUVRABILITY	Very easy to man oeuvre thanks to its 4 swivel wheels. The front wheels can be made fixed by simply exchanging them, even when retrofitting
WEIGHT	Thanks to its mixed steel and aluminum design, we obtain both a rigid and very light lifter; our weight/load coefficient is <1.0
LIFTING TECHNIC	The Lift&Drive carriage has a screw drive technology. A smooth lifting technology allows for precision lifting.
SECURITY	Our drive system is equipped with a clutch safety system to prevent damage to the rack when lowering the load. It is also possible to limit the lifting power.
MINIMUM HEIGHT	Our lifter is delivered as standard with a minimum lift height of 95 mm, but they are also available in heights of 85 mm and 147 mm.
MAXIMUM HEIGHT	Our range is composed of different heights expressed in U (44,45 mm) see in the table of each trolley. Maximum height. In the standard range is 2459 mm. Other dimensions are possible.
HANDLE	Our handles are adjustable in height according to the size of the operator. This adjustment can be done without tools by each operator.
REMOTE CONTROL	The remote control is detachable so that the operator can control the levelling from all sides, depending on the position of the truck. Our control is a joystick control which allows the operator to adjust the speed as required. For the telescopic column, the control is positioned on each side of the column.
BREAK	We have a centralized brake positioned at the rear of the lifter. This brake has 3 positions: 1-Brake on both rear wheels 2-Steering wheels and 3-Free wheels
LIFTING SPEED	The lifting speeds are pre-programmed and can be changed as required.
CERTIFICATIONS	CE 42/2006 and UL
OPTIONS - MODIFICATIONS	
SLIDING PLATFORM	Our lifters are delivered as standard with a fixed tray but can be equipped with a sliding tray with 150 mm extension to the left and to the right.
CHANGES IN HEIGHT	We can change the columns as required in terms of lift height.
ADAPTED CUTS	We can adapt the height of a standard trolley by cutting the column to reduce the lifting height.
OTHER CASTORS	It is possible to change castors from small to large as required.
TOP SWITCH	On our lifters, equipped with a telescopic column, we can fit a high limit switch - very useful in a cold corridor.
ADAPTABLE TOP SWITCH	Top limiter - Column mounted, for telescopic column
SOUND SIGNAL	To warn the operator of the movement of the telescopic column (A)
LIGHT INDICATION	To warn the operator of the movement of the telescopic column (B)
ESD	All Lift&Drive lifters can be protected against static electricity.
TRANSFER RAILS	Accessory to facilitate the transfer of a server from a tray to the rack. Very popular with the use of servers with screw fasteners.
CLAMPING STRAPS	Allows the load to be secured on the platform
LADDER³	Our DC lifter can be equipped with an on-board step ladder to facilitate load transfer at height. If a step ladder is fitted to the truck, the handle will be different.
MOTORIZATION	The Lift&Drive lifter is available with motorization for moving

THE COMPOSITION OF A LIFT&DRIVE DATA CENTRE LIFTER - 7 COMPONENTS + 1 TOOL

①	Legs
②	Column
③	Intermediate profile (profile + motor + brake)
④	Power-Pack (battery unit and electronic boards)
⑤	Handle
⑥	Remote control
⑦	Battery charger – (not on the image)
⑧	Tooling (to add)



TECHNICAL SPECIFICATIONS LIFT&DRIVE DATA CENTER

Type of battery	Ventilated lead-acid battery
Electrical voltage on DC 09 batteries	24 V DC / 12Ah
Electrical voltage on DC 15 batteries	24 V DC / 17Ah
Voltage charger DC current	230 V 50 Hz or 115 V 60 Hz
Noise level	< 70 dB(A)
Vibrations	The vibration value is < 2.5 m/s ²
Coefficient in the static test	1,25

SERVICES

FINANCING - LEASING

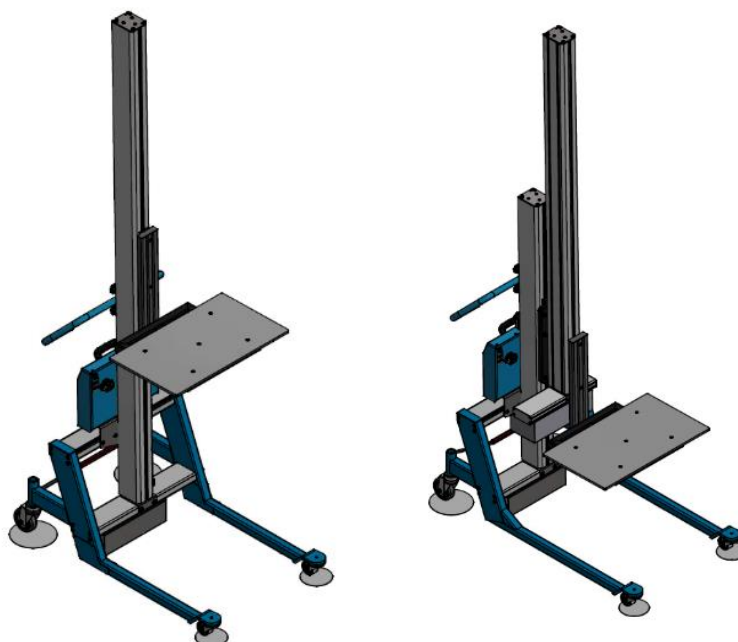
We can offer you our Lift&Drive lifter on financial lease, ask for the documentation

MAINTENANCE

We can carry out the maintenance of all our products with periodicity according to your needs and the use of your handling products.

It is important to carry out regular maintenance to have a good longevity of your handling products

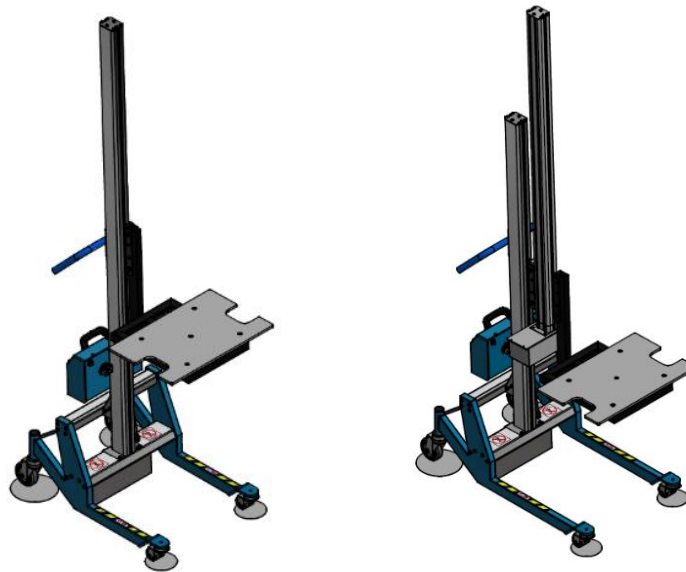
CHARACTERISTICS Lift&Drive DC 15 U42 and DC 15 U52



MODEL	Lift&Drive DC 15 U42	Lift&Drive DC 15 U52
ART	19001542	19001552
LOAD TYPE	Server	Server
LOAD	150 KG	150 KG
SPEED (LOADED)	74 mm / sec.	74 mm / sec.
PLATFORM TYPE	Fixed Aluminum	Fixed Aluminum
TOTAL HEIGHT	2477 mm	1976 mm / 2836 mm
TOTAL LENGTH	1141 mm	1263 mm
TOTAL WIDTH	648 mm	648 mm
MINIMUM HEIGHT	95 mm	95 mm
MAXIMUM HEIGHT	2007 mm	2459 mm
HEIGHT IN « U »	42	52
WEIGHT	95 KG	120 KG
FONT WHEEL ¹	Swivel or Fixed	Swivel or Fixed
OPTIONS		
SLIDING TABLETOP	•	•
CHANGES IN HEIGHT	•	•
ADAPTED CUTS	•	•
OTHER WHEEL ²	85 mm or 147 mm	85 mm or 147 mm
TOP SWITCH	-	•
ADAPTABLE TOP SWITCH	-	•
SOUND SIGNAL	-	•
LIGHT INDICATION	-	•
ESD	•	•
TRANSFER RAILS	•	•
CLAMPING STRAPS	•	•
LADDER ³	•	•
MOTORIZATION	•	•

1. choice according to height 2. Choice but can be retrofitted 3. With modification of the handle.

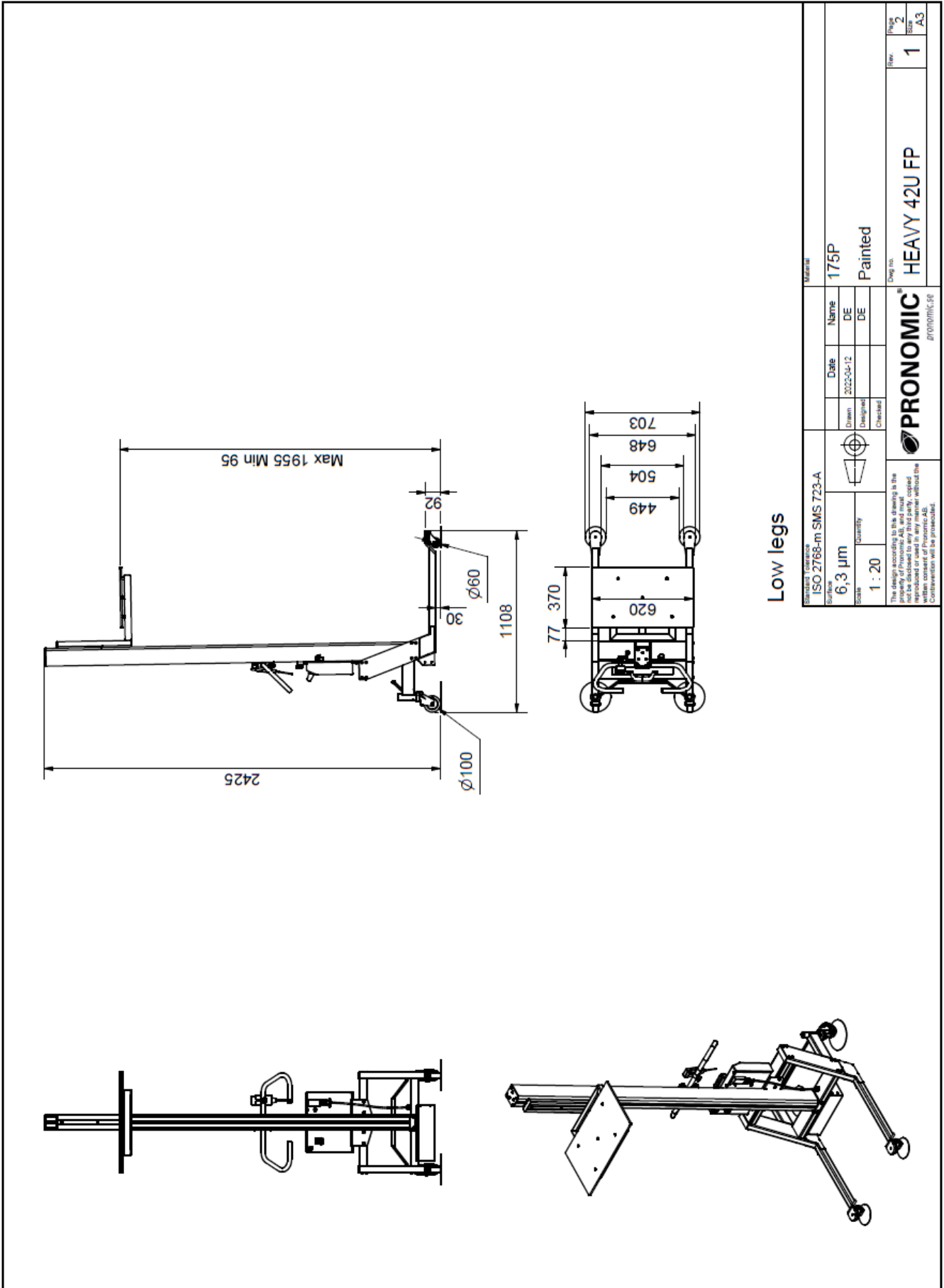
CHARACTERISTICS Lift&Drive DC 09 U42 and DC 09 U52



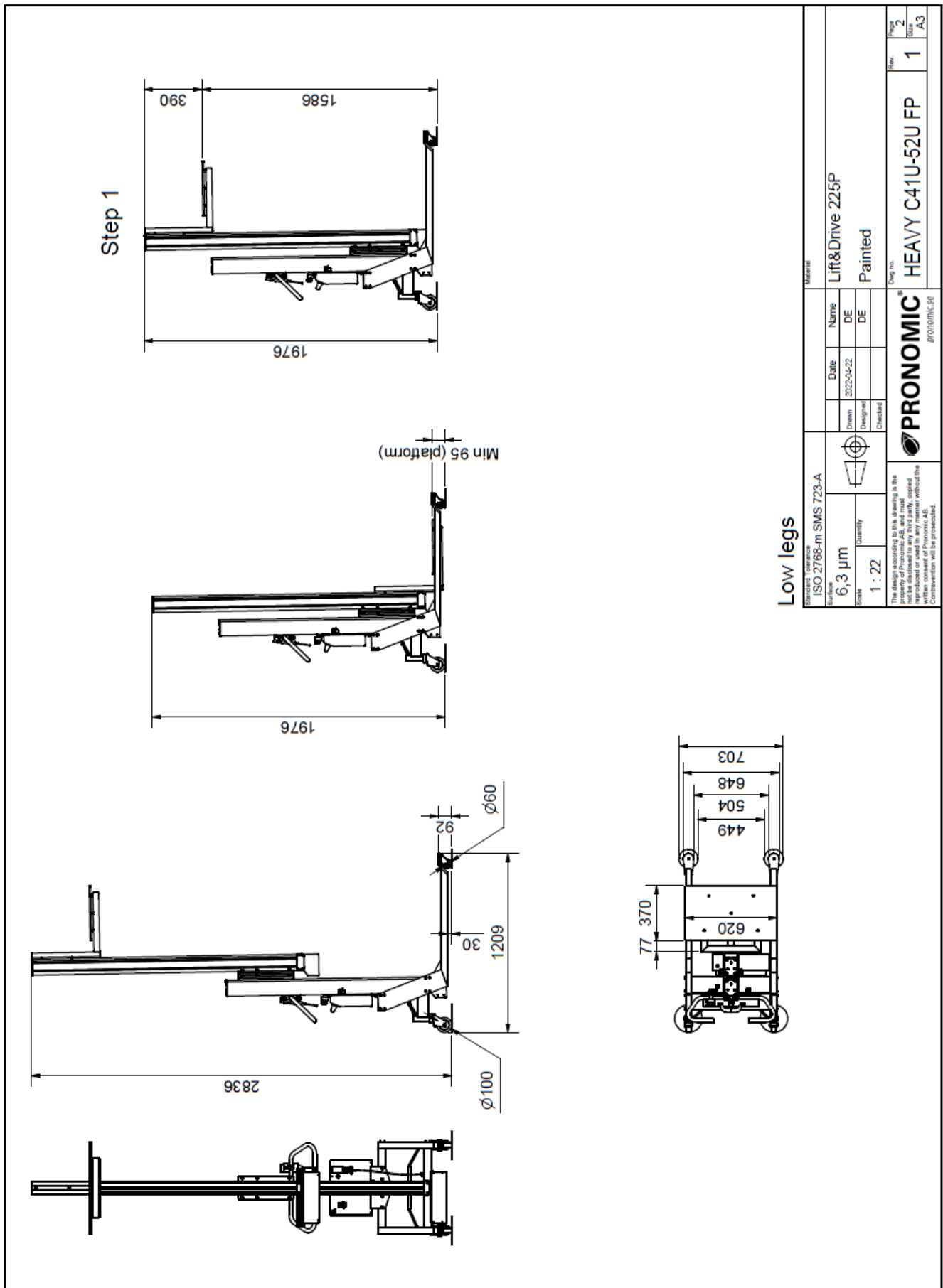
MODEL	Lift&Drive DC 09 U42	Lift&Drive DC 09 U52
ART	20001042	20001052
LOAD TYPE	Battery	Battery
LOAD	90 KG	90 KG
SPEED (LOADED)	90 mm / sec.	90 mm / sec.
PLATFORM TYPE	Fixed Aluminum	Fixed Aluminum
TOTAL HEIGHT	2376 mm	1680 mm / 2839 mm
TOTAL LENGTH	817 mm	1052 mm
TOTAL WIDTH	558 mm	558 mm
MINIMUM HEIGHT	95 mm	95 mm
MAXIMUM HEIGHT	1938 mm	2451 mm
HEIGHT IN « U »	42	52
WEIGHT	65 KG	85 KG
FONT WHEEL¹	Swivel or Fixed	Swivel or Fixed
OPTIONS		
SLIDING TABLETOP	•	•
CHANGES IN HEIGHT	•	•
ADAPTED CUTS	85 mm or 147 mm	85 mm or 147 mm
OTHER WHEEL²	-	•
TOP SWITCH	-	•
ADAPTABLE TOP SWITCH	-	•
SOUND SIGNAL	-	•
LIGHT INDICATION	•	•
ESD	•	•
TRANSFER RAILS	•	•
CLAMPING STRAPS	•	•
LADDER³	•	•

1. choice according to height 2. Choice but can be retrofitted 3. With modification of the handle.

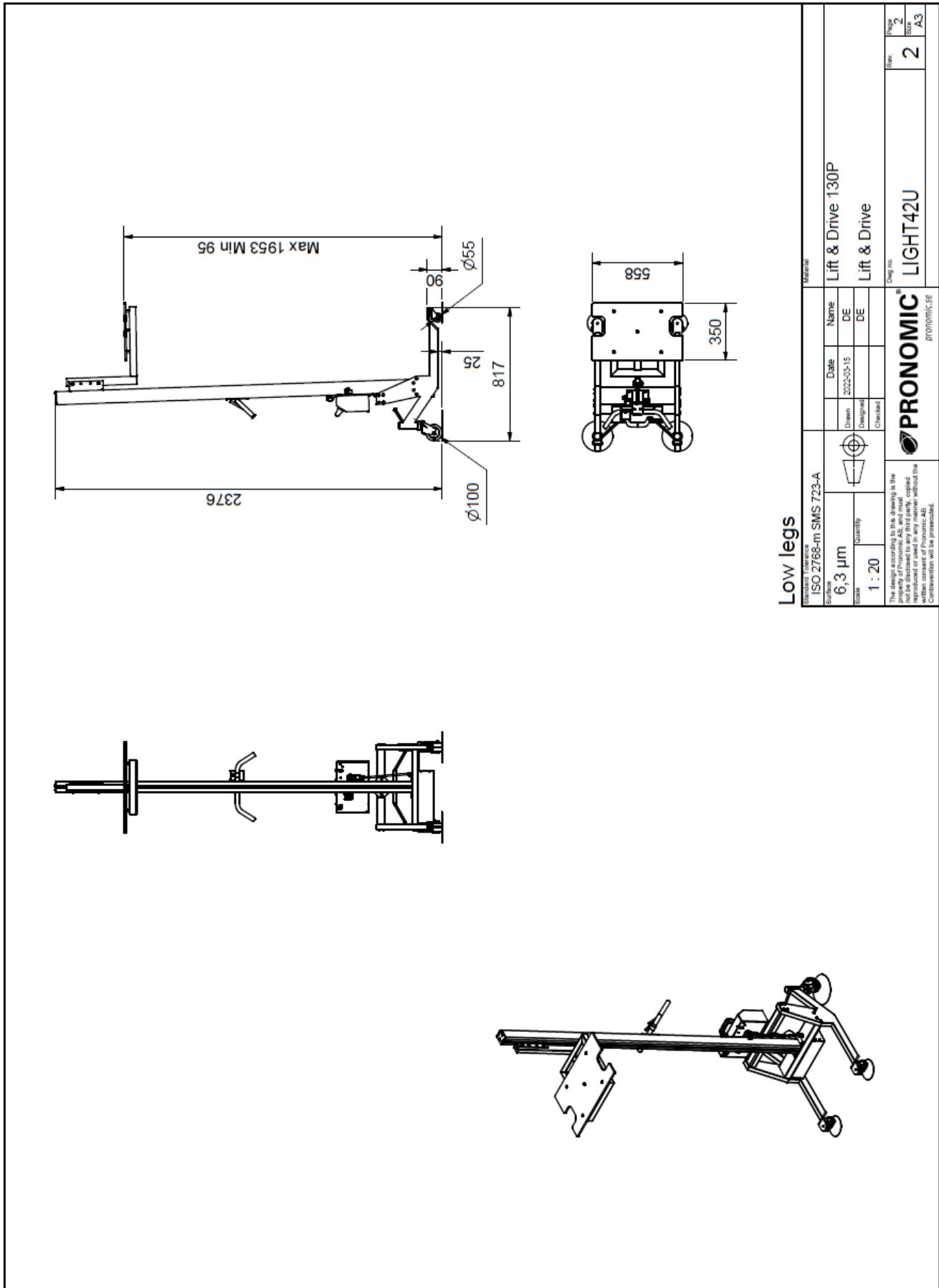
LIFT&DRIVE DC 15 U42



LIFT&DRIVE DC 15 U52



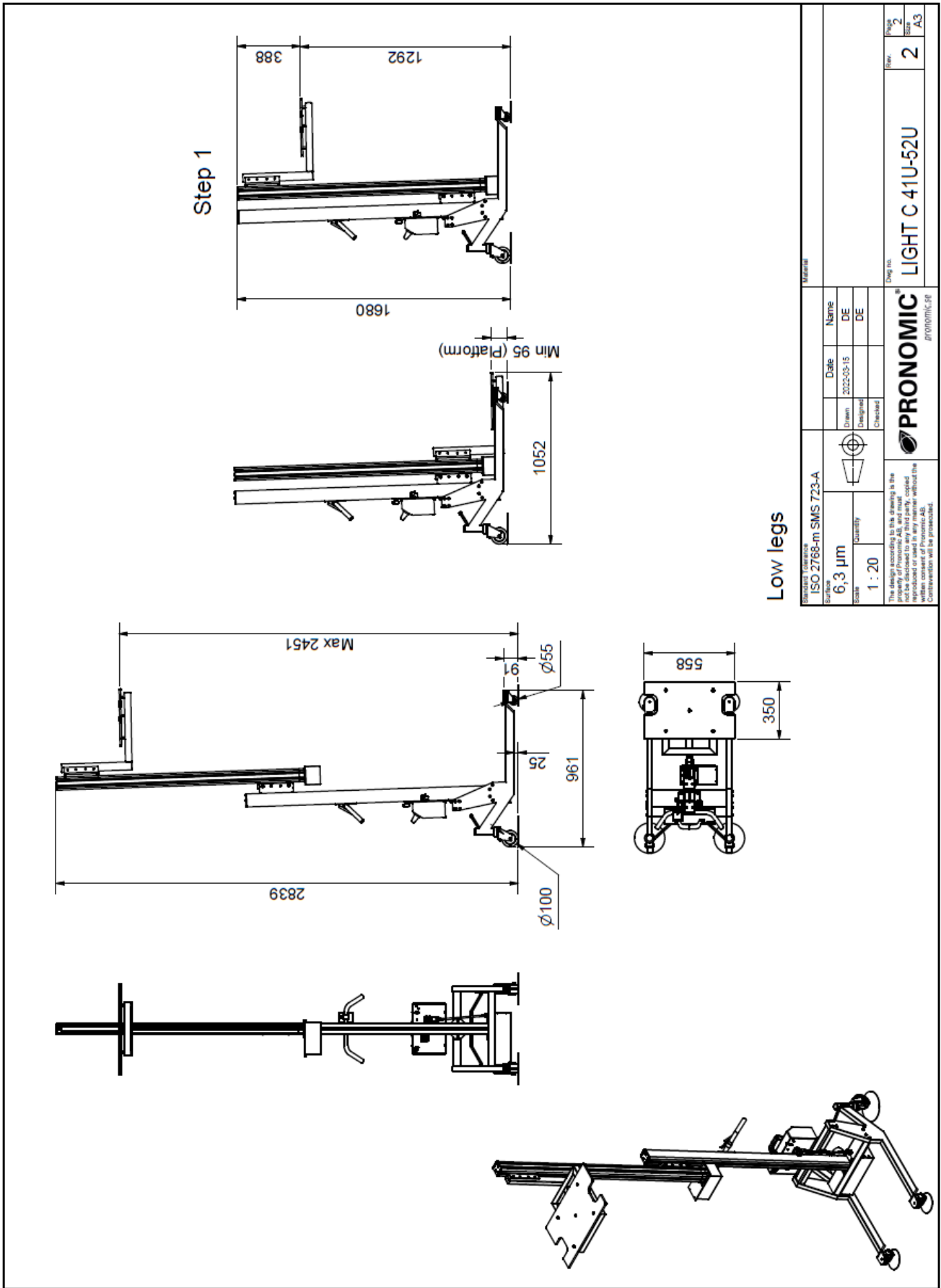
LIFT&DRIVE DC 09 U42



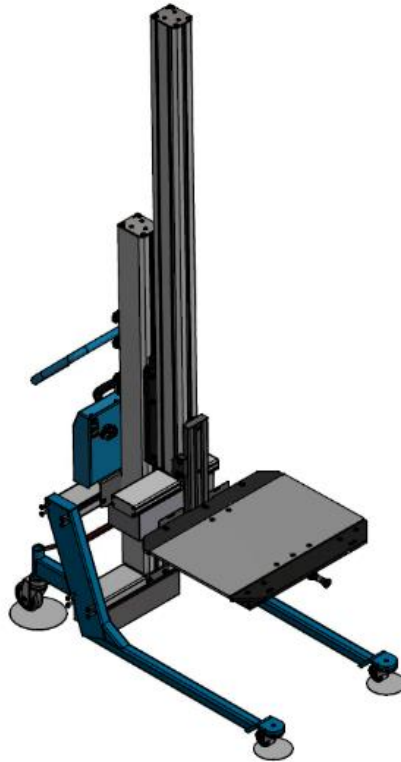
Low legs

Material		Lift & Drive 130P		Draw no.		2	
ISO 2768-m SMS 723-A		Lift & Drive		Drawn		2	
Surface		Date		Designed		A3	
6,3 µm		2022-05-15		Checked		A3	
Scale		Quantity		Checked		A3	
1 : 20				Checked		A3	
<p>The design is the property of Pronomic AG and must not be disclosed to any third party, copied, modified or used for other purposes without the written consent of Pronomic AG. Counterfeiting will be prosecuted.</p>				<p>Draw no.</p>		<p>2</p>	
				<p>Light42U</p>		<p>2</p>	

LIFT&DRIVE DC 09 U52



GENERALE CONDITIONS



 **PRONOMIC**[®]
Lift&Drive DC

Disclaimer of liability. We reserve the right to make changes.
Illustrations, drawings, and data do not always correspond to the latest version or the standard model in production. The models in the photos may have special equipment or colors.

PRONOMIC SARL
Téléphone : +33 (0)4 78 38 00 36
www.pronomic.fr